

Touch Screen High Level Tilting Floor Trolley (32"-70") - AS0247GTW-B



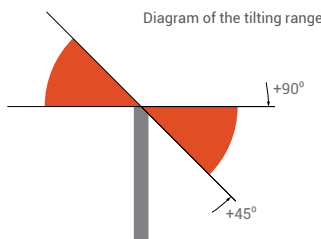
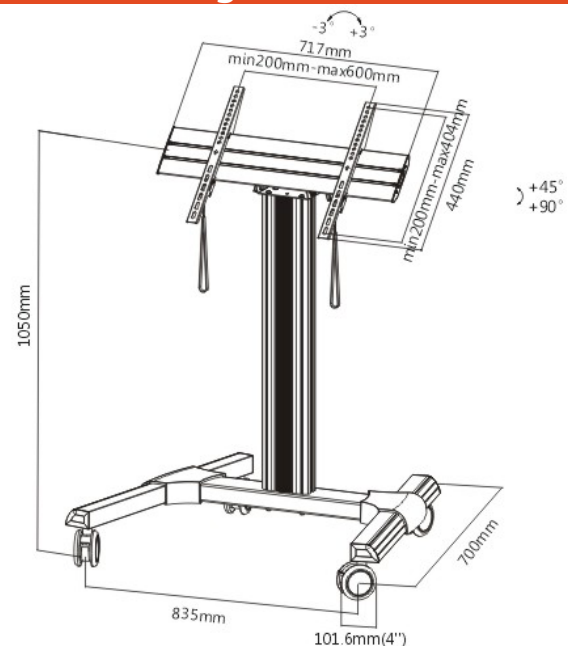
Features

- Designed for commercial use and public spaces
- Stylish and lightweight for easy mobility
- Large tilting range of +45° to +90°
- Tilt from a horizontal position to a 45° angle
- Level adjustment of -3° to +3°
- Suitable for most 32"-70" screens
- Maximum VESA pattern: 600x400mm
- Maximum hole pattern: 600x404mm
- Maximum weight capacity: 70kg/154lbs
- Total height: 1050mm
- Integrated cable management design
- Castors with brakes for increased stability
- Powder coated and oxidized finish
- Optional screw in levelling feet included
- Additional AV/laptop shelf available

Specifications

Mount Type	High Level Tilting Landscape Floor Trolley
Mounting Pattern	Universal
Material	Aluminium, Steel, Plastic
Material Finish	Powder coated and oxidized
Recommended Screen Size	32"-70"
Weight Capacity	70kg/154lbs
Load Tested	3 times weight capacity approved
Compatible VESA Patterns	200x200mm, 400x200mm, 300x300mm, 400x400mm, 600x400mm
Maximum VESA Pattern	600x400mm
Maximum Hole Pattern	600x404mm
Tilt	+45° to +90°
Swivel	0°
Level Adjustment	-3° to +3°

Technical Drawing



* Excluding motorised products which have a 5 year warranty

