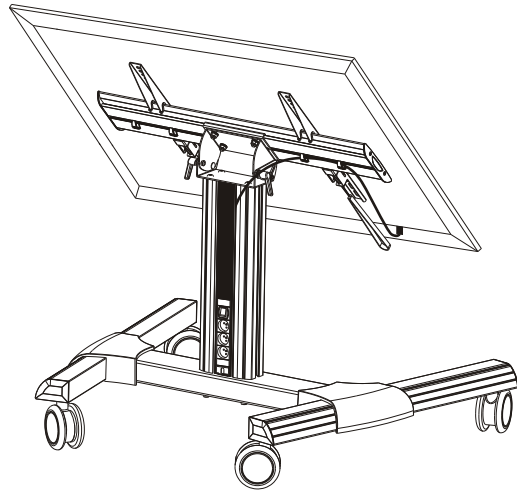


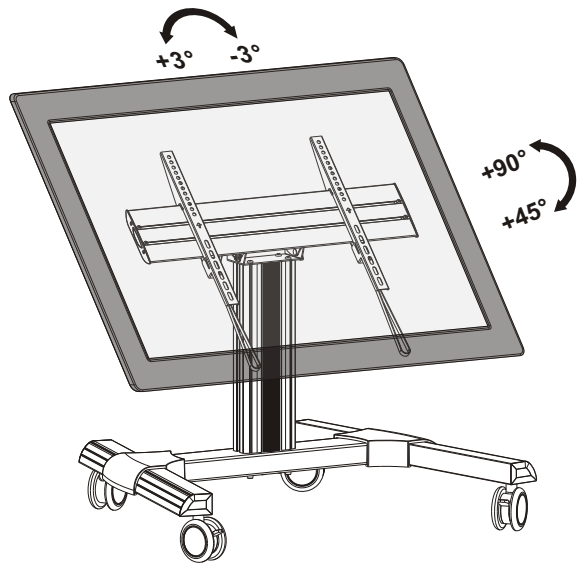


# Flat Panel Display Stand & Cart and Accessories



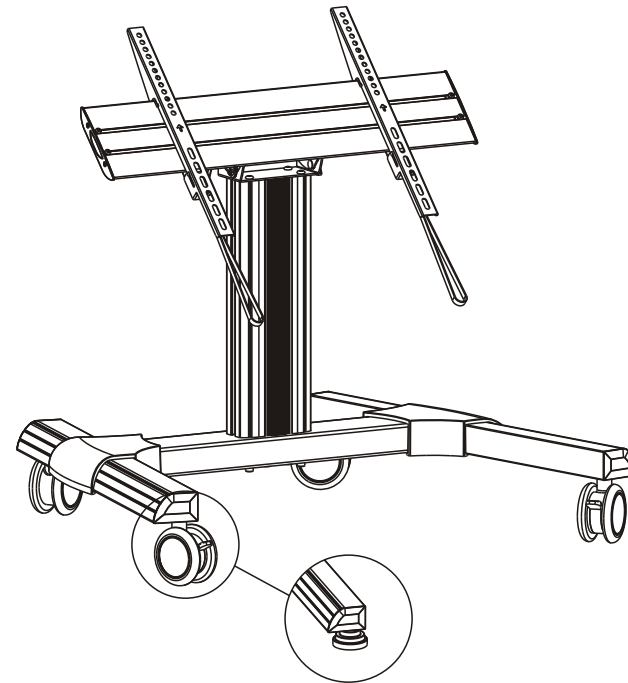
Run the cables through the cable clamps and the rubber strip.

## 9. Adjustment

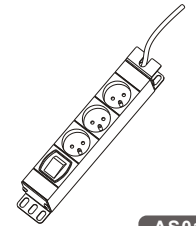


### Maintenance

- Check that the bracket is secure and safe to use at regular intervals(at least every three months).
- Please contact your distributor if you have any questions.



### Optional Accessories








AS01K

**Note:** The accessories are not standard. The accessories will be selected according to user requirement.



**CAUTION:** DO NOT EXCEED RATED LISTED WEIGHT. SERIOUS INJURY OR PROPERTY DAMAGE MAY OCCUR!

<b>AS0247GTW</b>	 300x300/400x200 00x400/600x400	 <b>70"</b> MAX	 <b>70kg</b> <b>(154lbs)</b> RATED
<b>AS0247GTF</b>	 300x300/400x200 400x400/600x400	 <b>70"</b> MAX	

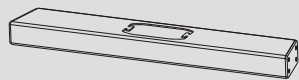
**NOTE:** Read the entire instruction manual before you start installation and assembly.

## ⚠ WARNING

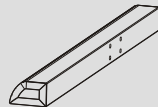
- Do not begin the installation until you have read and understood all the instructions and warnings contained in this installation sheet. If you have any questions regarding any of the instructions or warnings, please contact your local distributor.
- This mounting bracket was designed to be installed and utilised **ONLY** as specified in this manual. Improper installation of this product may cause damage or serious injury.
- Always use an assistant or mechanical lifting equipment to safely lift and position the equipment.
- Tighten screws firmly, but do not over tighten. Over tightening can cause damage to the items, This greatly reduces their holding power.
- This product is intended for indoor use only. Using this product outdoors could lead to product failure and personal injury.

**IMPORTANT:** Ensure that you have received all parts according to the component checklist prior to installation. If any parts are missing or faulty, telephone your local distributor for a replacement.

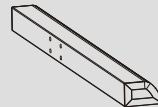
### AS0246GTW/GTF



middle base (x1)  
A



left base (x1)  
B



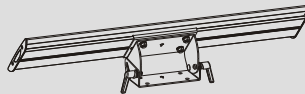
right base (x1)  
C



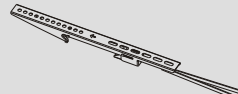
left cover (x1)  
D



right cover (x1)  
E



universal plate (x1)  
F



adapter bracket (x2)  
G



column (x1)  
H



cable clamp (x4)  
I



M8x65 (x8)  
J



M8x16 (x4)  
K



M8x40 (x4)  
L



5mm Allen key (x1)  
M



6mm Allen key (x1)  
N



D8 washer (x4)  
O

#### Component (AS0246GTW only)



caster wheel/brake (x2)  
P



caster wheel (x2)  
Q



wrench (x1)  
R

#### Component (AS0246GTF only)



supporting foot (x4)  
S



rubber pad (x4)  
T

(Peel off the backing paper from the rubber pad and stick the rubber pad on to the supporting foot.)

#### Package M



M5x14 (x4)  
M-A



M6x14 (x4)  
M-B



M8x20 (x4)  
M-C



M6x30 (x4)  
M-D



M8x30 (x4)  
M-E



washer (x4)  
M-F

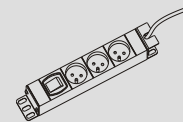


small spacer (x8)  
M-G



big spacer (x4)  
M-H

#### AS01K (The following accessories are optional)

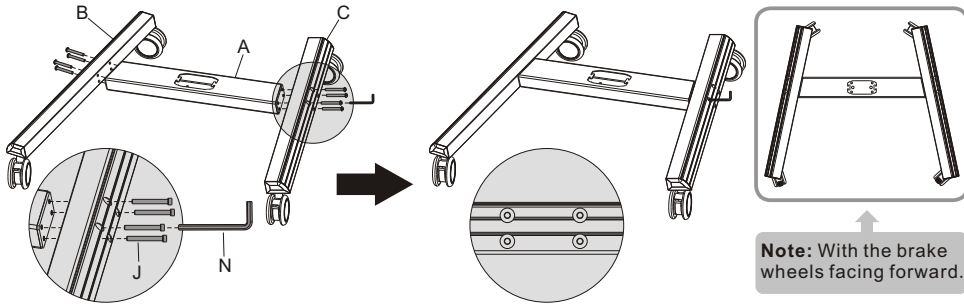


power socket (x1)  
T-H



ST4.8x9.5 (x4)  
P-G

### 1. Assembling the Base

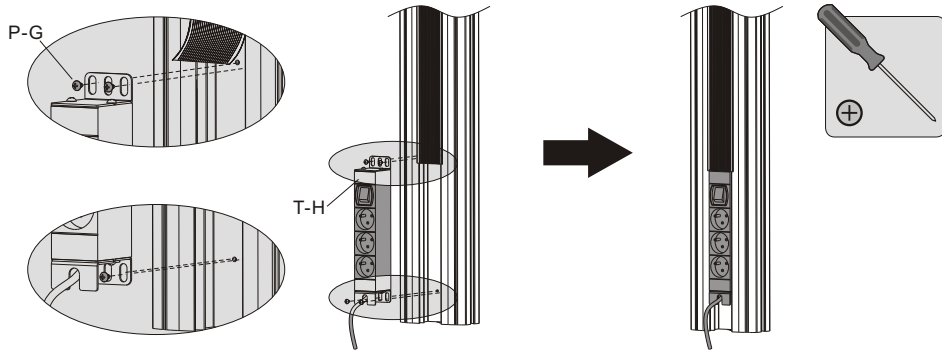


**Note:** With the brake wheels facing forward.

Attach the left and right base to the middle base using the appropriate screws. Tighten all screws with an Allen key.

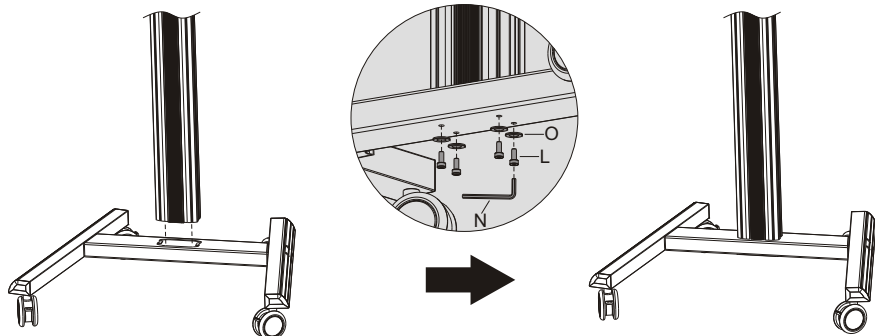
### 2. For the model AS01K installation

(Assembly based on the accessories selected by user.)



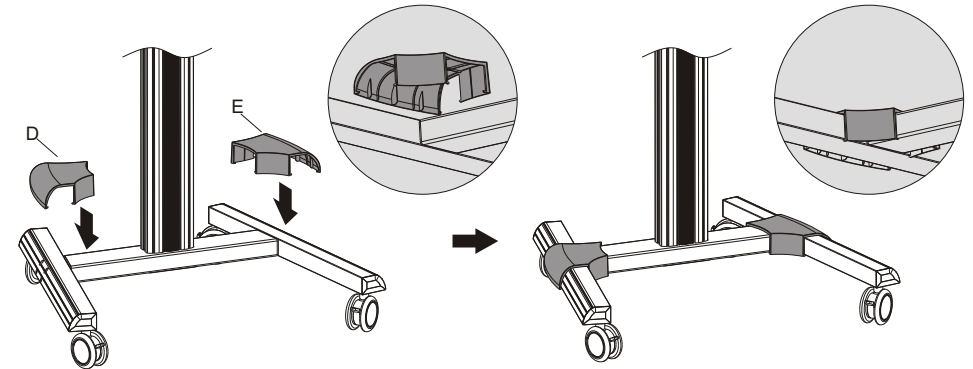
Attach the power socket to the back of column using the appropriate screws. Tighten all screws with a phillips screwdriver.

### 3. Attaching the Column to the Base

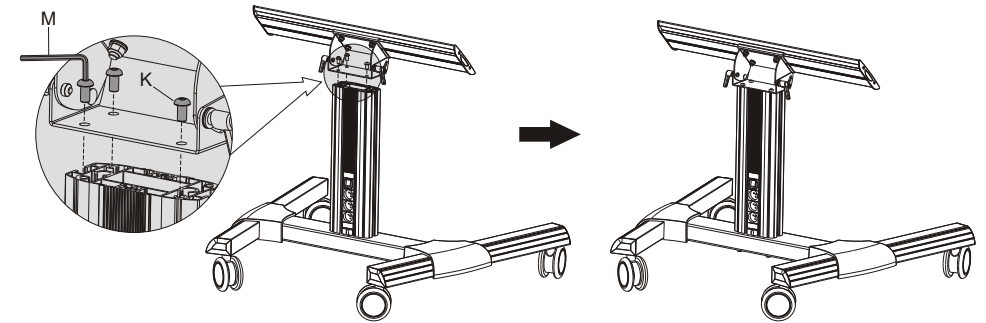


Attach the column to the assembled base using the appropriate screws and washers. Tighten all screws with an Allen key.  
**NOTE:** Lock the brakes on the casters to avoid any sudden movements during installation.

### 4. Installing the Covers

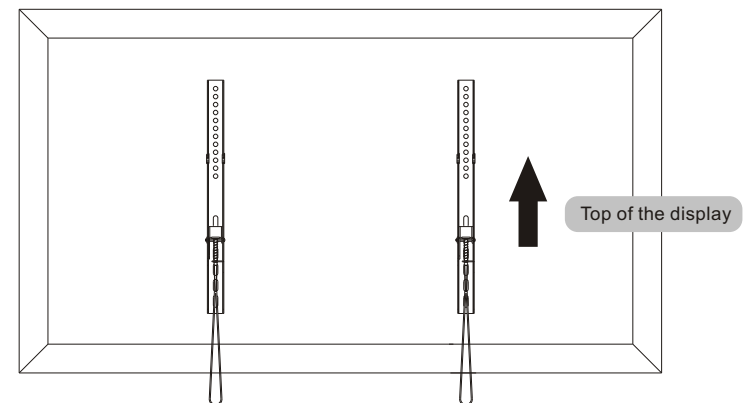


### 5. Installing the Universal Plate

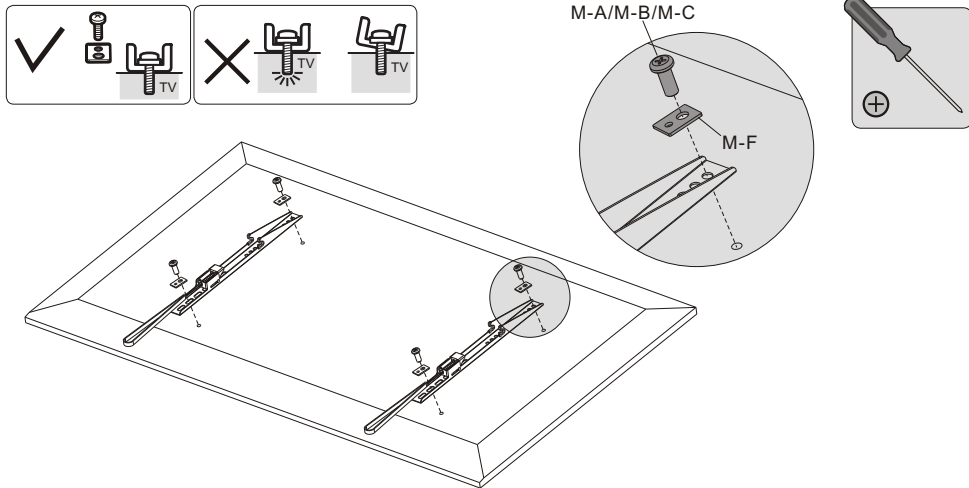


Attach the universal plate to the column using the appropriate screws. Tighten all screws with an Allen key.

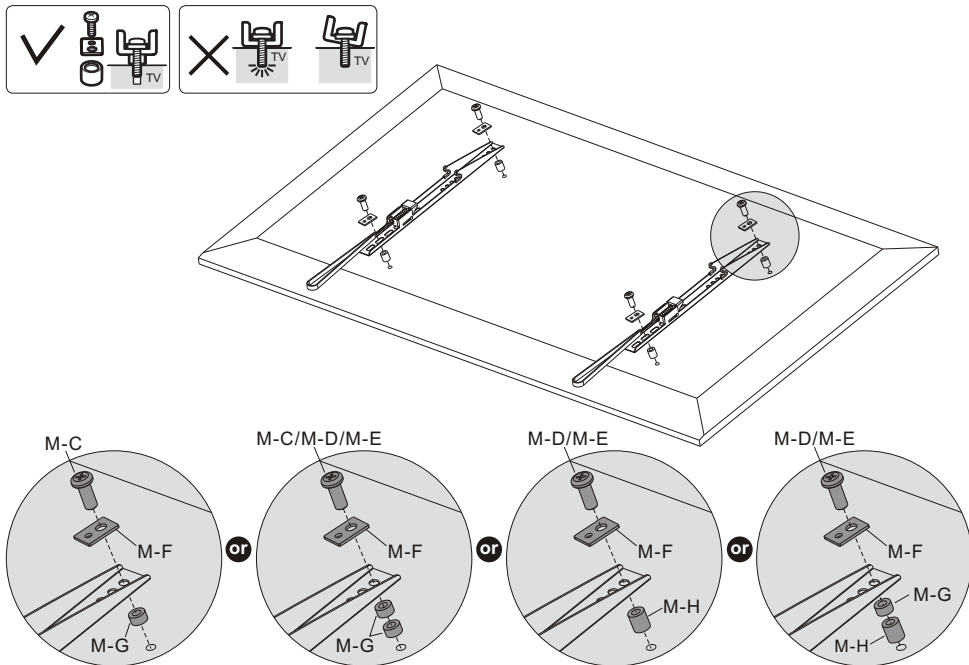
### 6. Installing the Adapter Brackets



### 6-1 For Flat Back Screens



### 6-2 For Recessed Back Screens or to Access A/V Inputs

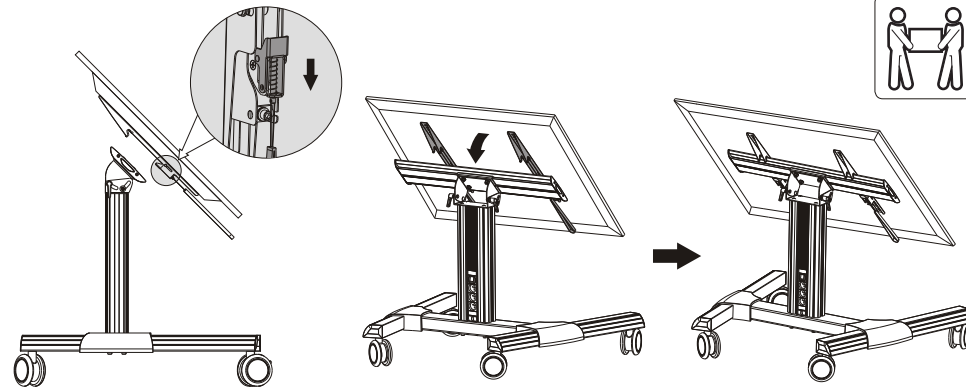


**Note:** Choose the appropriate screws, washers and spacers (if necessary) according to the type of screen.

- Position the adapter brackets as close as possible to the center of the display.
- Screw the adapter brackets onto the display.

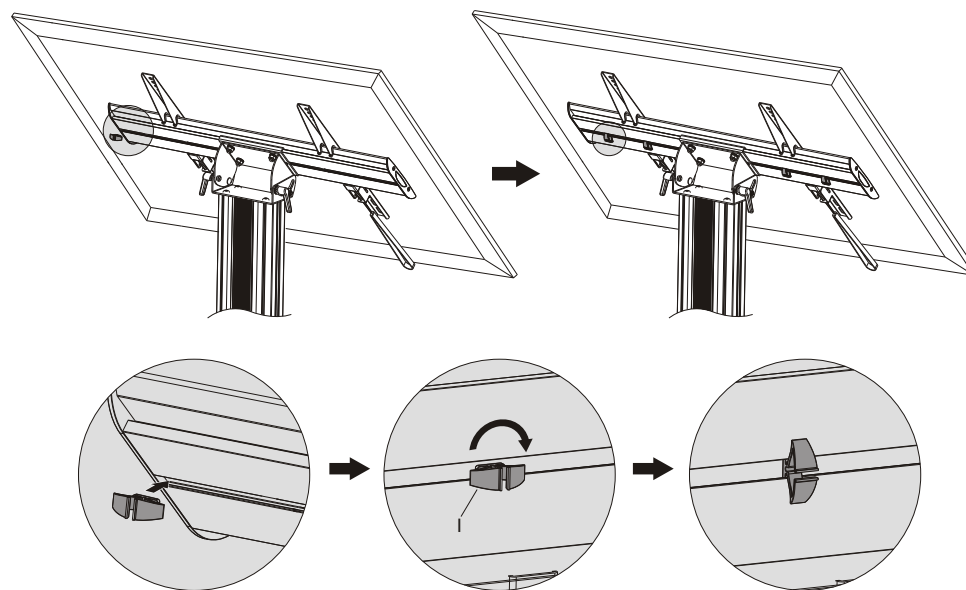
**⚠ Tighten all screws but do not over tighten.**

### 7. Hanging the Display onto the Universal Plate



Lift the display carefully and pull downward two straps at the same time, then hook the adapter brackets to the universal plate. Fasten the adapter brackets to the universal plate by releasing the straps.

### 8. Cable Management



Insert the cable clamps horizontally into the plate slots, then turn the cable clamps to the vertical to secure them.