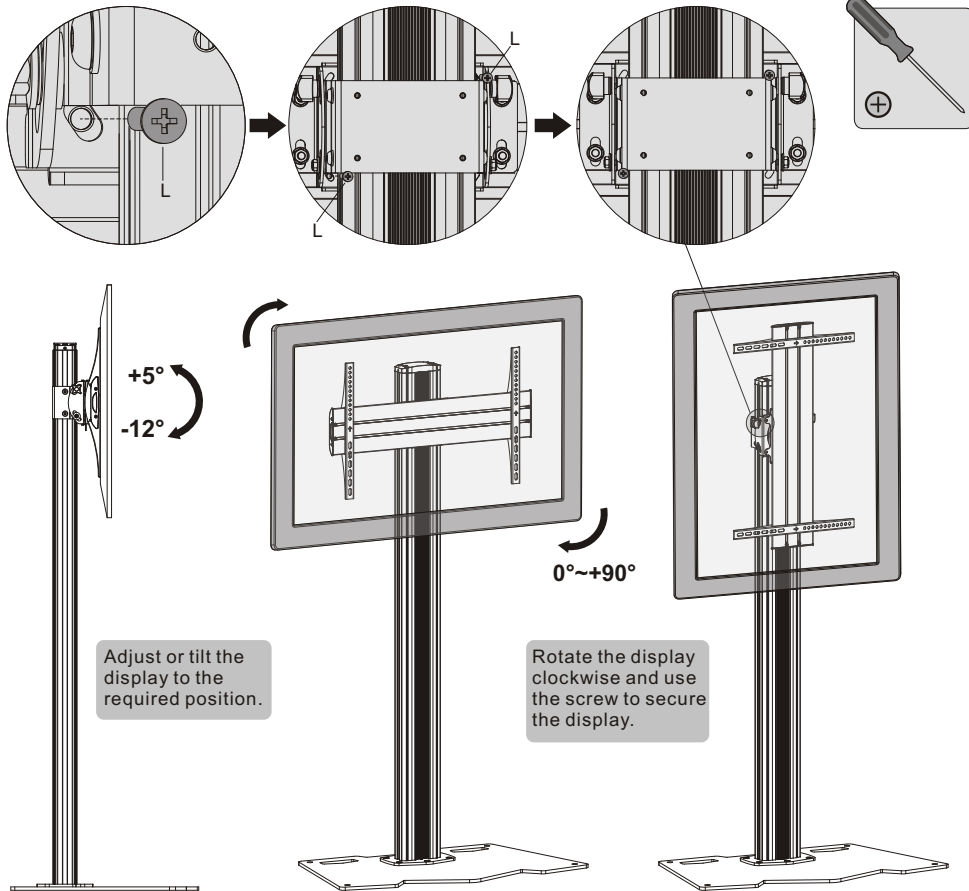


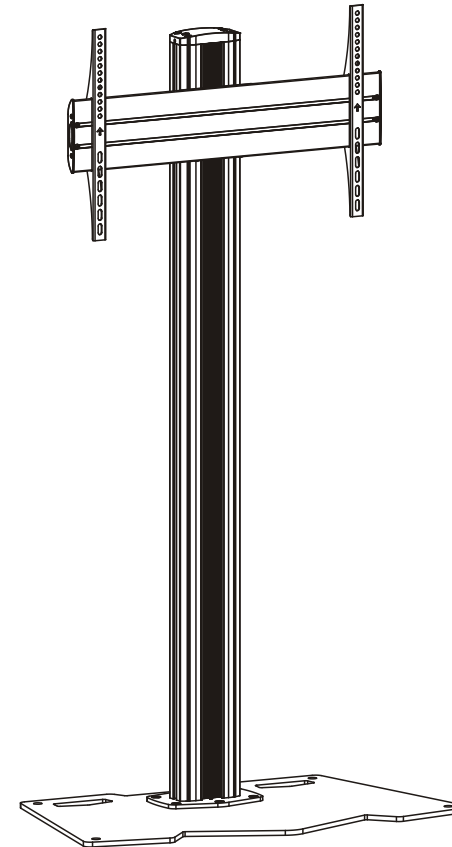
TV Floor Stand and Accessories

16. Adjustment



Maintenance

- Check that the bracket is secure and safe to use at regular intervals(at least every three months).
- Please contact your distributor if you have any questions.



Optional Accessories

Note: The accessories are not standard equipped. The accessories will be selected according to user requirement.



CAUTION: DO NOT EXCEED RATED LISTED WEIGHT. SERIOUS INJURY OR PROPERTY DAMAGE MAY OCCUR!

AS0246TP



300x300/400x200
400x400/600x400



70"
MAX



65kg
(143lbs)
RATED



10kg
(22lbs)
RATED

All accessories

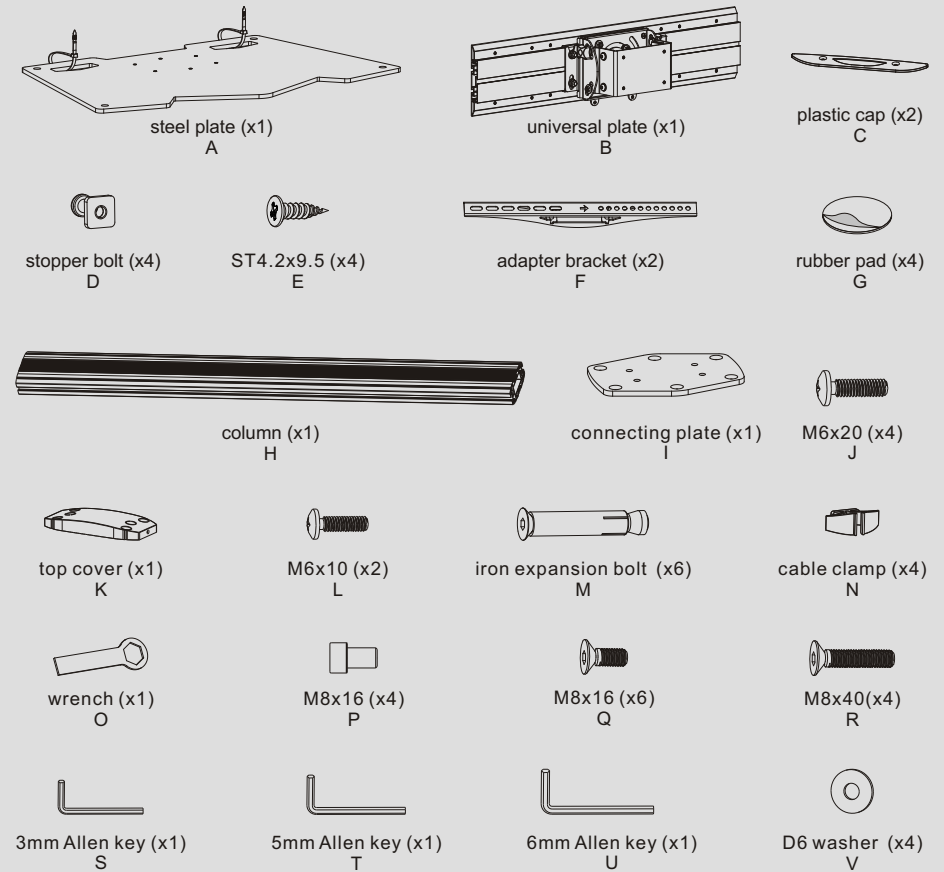
NOTE: Read the entire instruction manual before you start installation and assembly.

WARNING

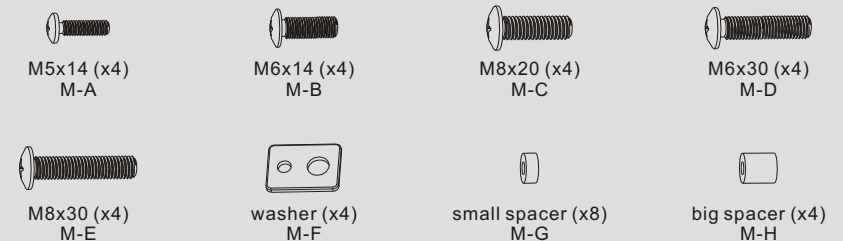
- Do not begin the installation until you have read and understood all the instructions and warnings contained in this installation sheet. If you have any questions regarding any of the instructions or warnings, please contact your local distributor.
- This mounting bracket was designed to be installed and utilised **ONLY** as specified in this manual. Improper installation of this product may cause damage or serious injury.
- Always use an assistant or mechanical lifting equipment to safely lift and position the equipment.
- Tighten screws firmly, but do not over tighten. Over tightening can cause damage to the items, This greatly reduces their holding power.
- This product is intended for indoor use only. Using this product outdoors could lead to product failure and personal injury.

IMPORTANT: Ensure that you have received all parts according to the component checklist prior to installation. If any parts are missing or faulty, telephone your local distributor for a replacement.

AS0246TP

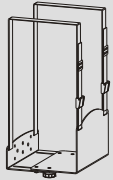


Package M



The following accessories are optional.

AS02H



CPU holder (x1)
T-A



connecting piece (x1)
T-B

Package P



M6x8 (x4)
P-A

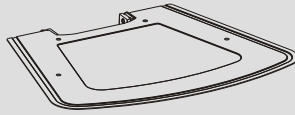


4mm Allen key (x1)
P-B



silicone pad (x8)
P-C

AS02



DVD shelf (x1)
T-C

AS03V/AS02P



laptop cabinet (x1)
T-D

AS03V only



connecting piece (x1)
T-E

Package P



M6x8 (x4)
P-D



D6 washer (x4)
P-E

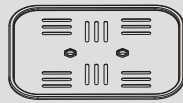


key (x1)
P-F

AS02R

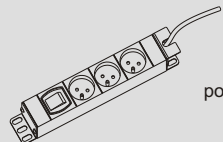


support rod (x2)
T-F



camera shelf (x1)
T-G

AS01K

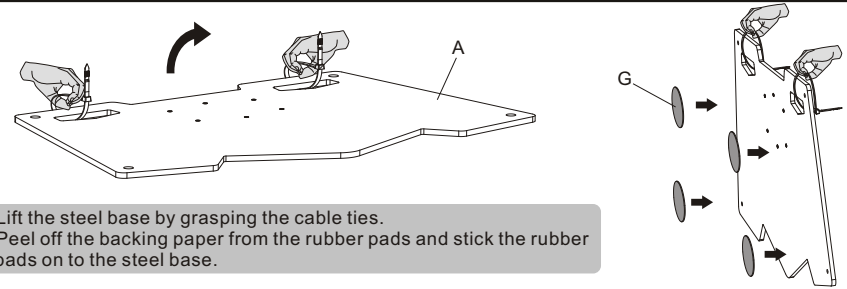


power socket (x1)
T-H



ST4.8x9.5 (x4)
P-G

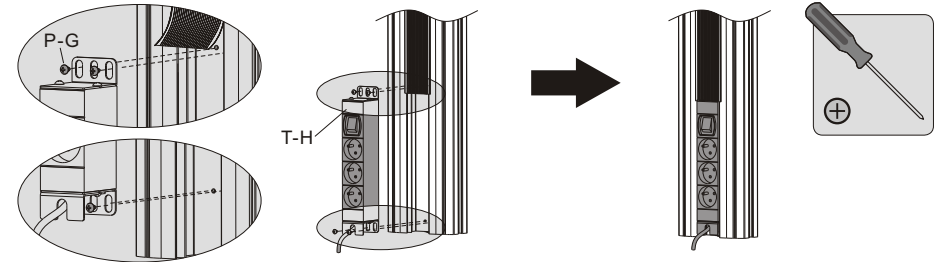
1. Installing the Rubber Pads



- Lift the steel base by grasping the cable ties.
- Peel off the backing paper from the rubber pads and stick the rubber pads on to the steel base.

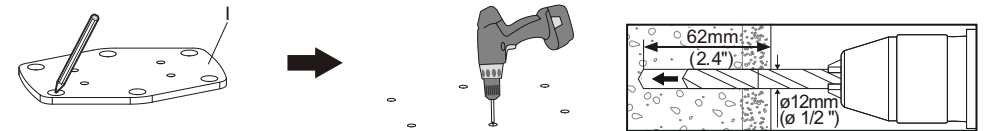
2. For the model AS01K installation

(Assembly based on the accessories selected by user.)

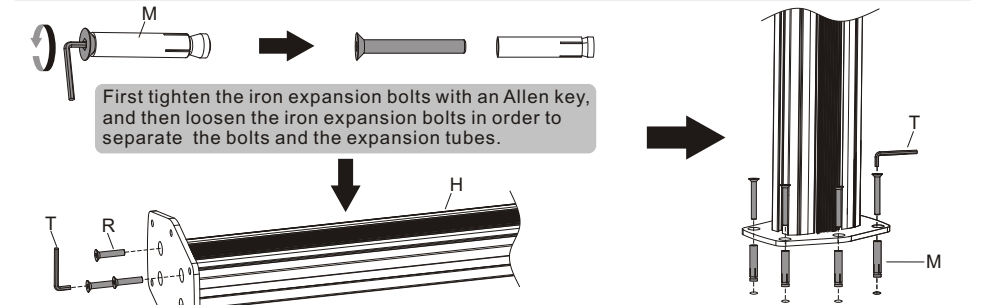


Attach the power socket to the back of column using the appropriate screws. Tighten all screws with a phillips screwdriver.

3a. For Concrete Floor Mounting



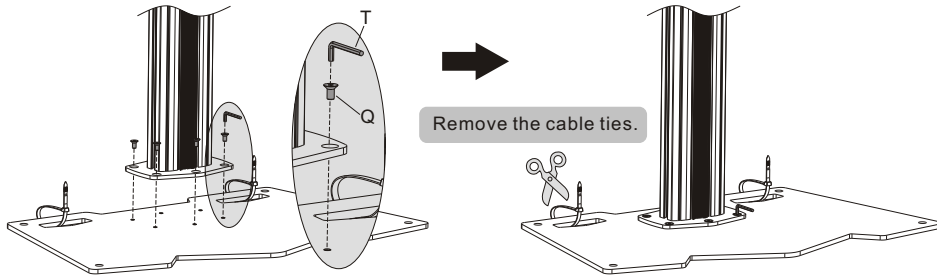
Mark the exact location of mounting holes and pre-drill these mounting holes with a 12mm drilling bit to at least 62mm in depth. Remove the dust in the holes.



First tighten the iron expansion bolts with an Allen key, and then loosen the iron expansion bolts in order to separate the bolts and the expansion tubes.

- Attach the connecting plate to the bottom of the column using the appropriate screws. Tighten all screws with an Allen key.
- Insert an expansion tube into each of these holes. Using the bolts mount the column to the floor. Tighten all screws with an Allen key.

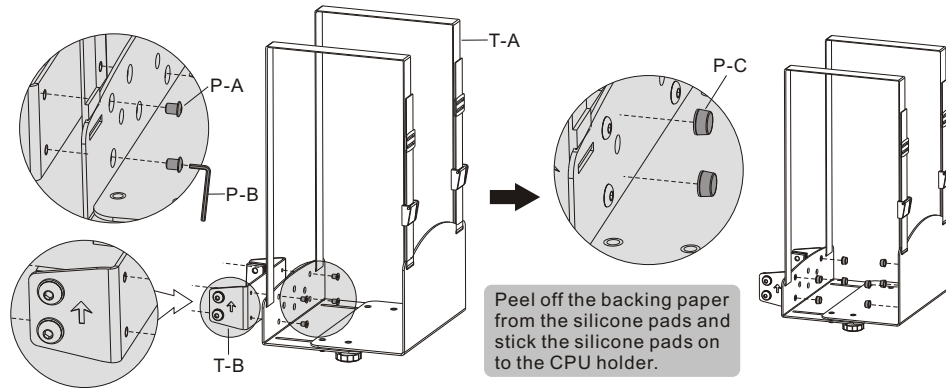
3b. For the Floor Stand Mounting



Attach the column to the steel base using the appropriate screws. Tighten all screws with an Allen key.

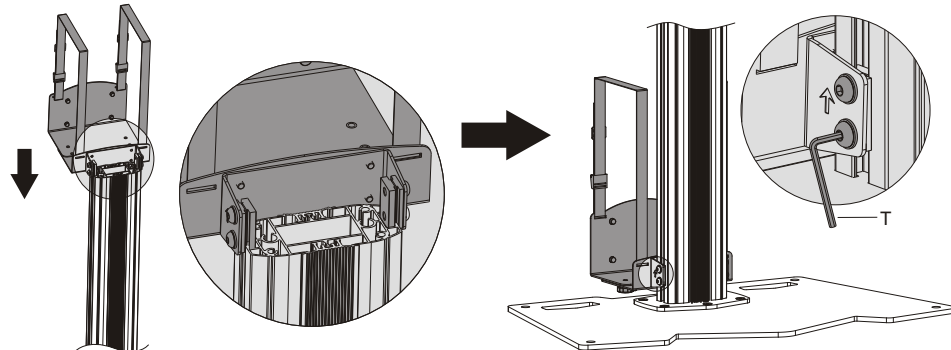
4. For the model AS02H installation (Assembly based on the accessories selected by user.)

4-1: Installing the CPU holder on the back of the column



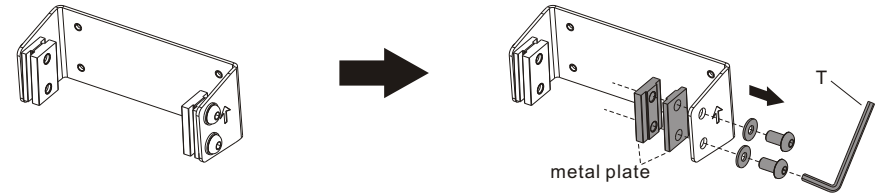
Attach the connecting piece to the CPU holder using the appropriate screws. Tighten all screws with an Allen key.

NOTE: With the arrow pointing upward.

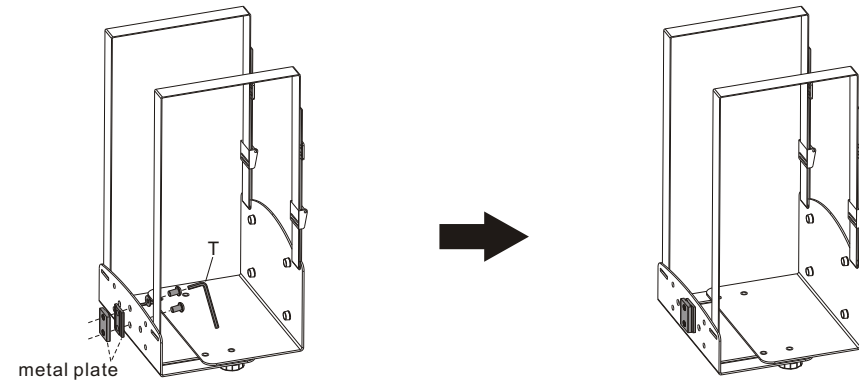


Insert the CPU holder to the required position along the column rails. Tighten all screws to secure it with an Allen key.

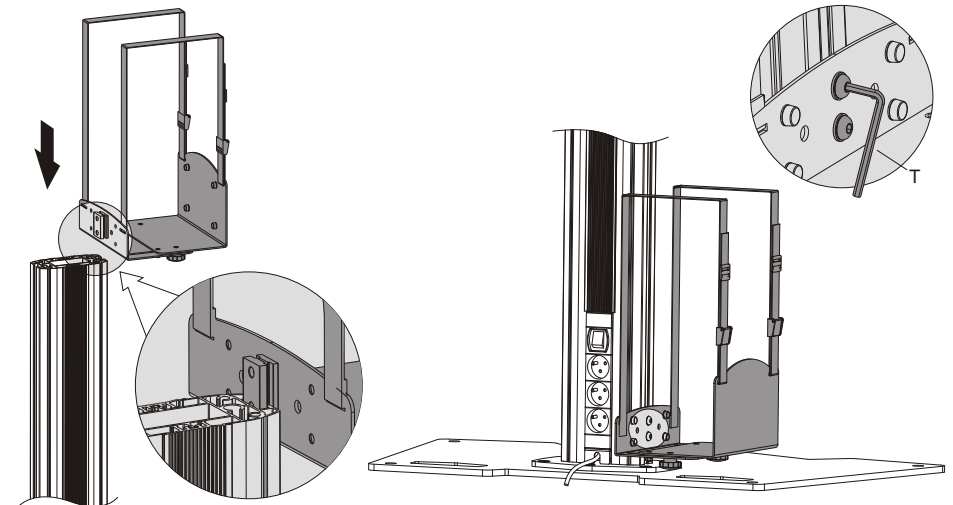
4-2: Installing the CPU holder on the side of the column (If the power socket is installed on the back of the column)



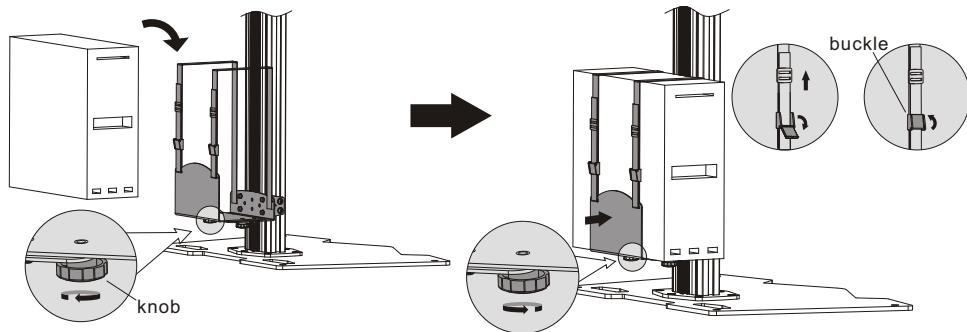
Loosen and remove the screws in order to separate the metal plate from the connecting piece.



Attach the removed metal plates to the CPU holder using the removed screws. Tighten all screws with an Allen key.



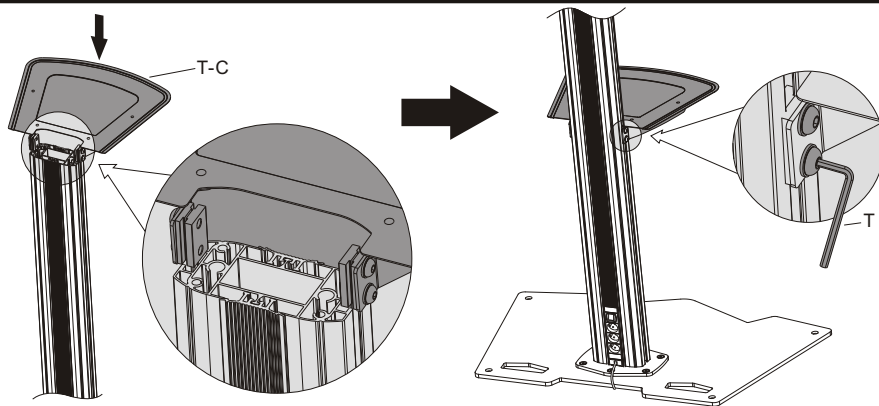
Insert the CPU holder to the required position along the column rails. Tighten all screws to secure it with an Allen key.



- Loosen the knobs to adjust the space for CPU.
- Use the adjustable buckles to hold the machine firmly in place.

5. For the model AS02 installation

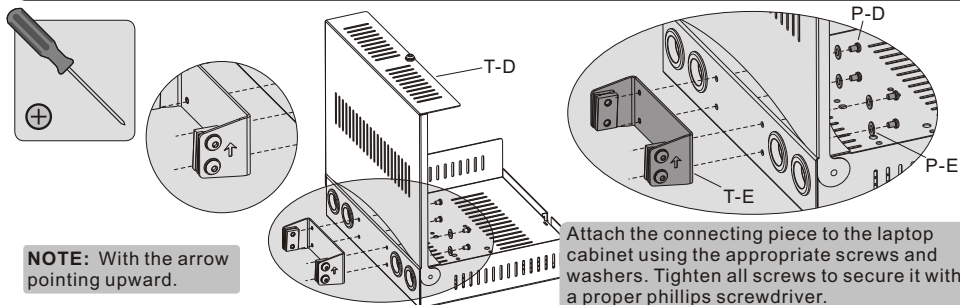
(Assembly based on the accessories selected by user.)



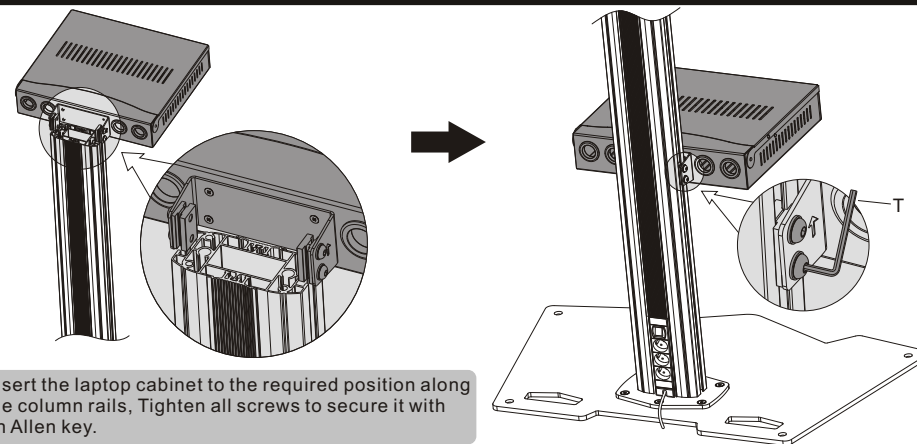
Insert the DVD shelf to the required position along the column rails. Secure it by tightening screws with an Allen key.

6. For the model AS03V installation

(Assembly based on the accessories selected by user.)

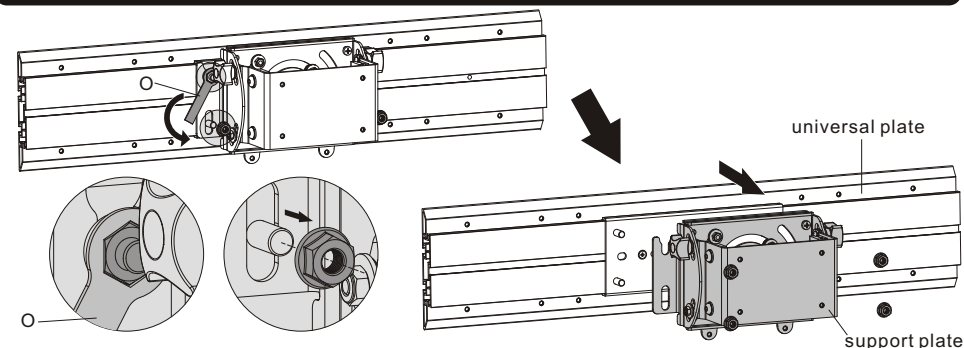


Attach the connecting piece to the laptop cabinet using the appropriate screws and washers. Tighten all screws to secure it with a proper phillips screwdriver.



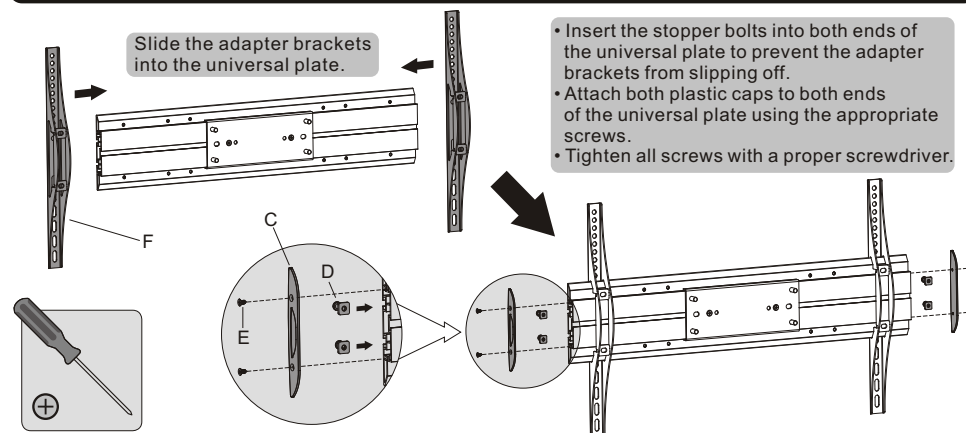
Insert the laptop cabinet to the required position along the column rails, Tighten all screws to secure it with an Allen key.

7. Separating the Universal Plate and the Support Bracket



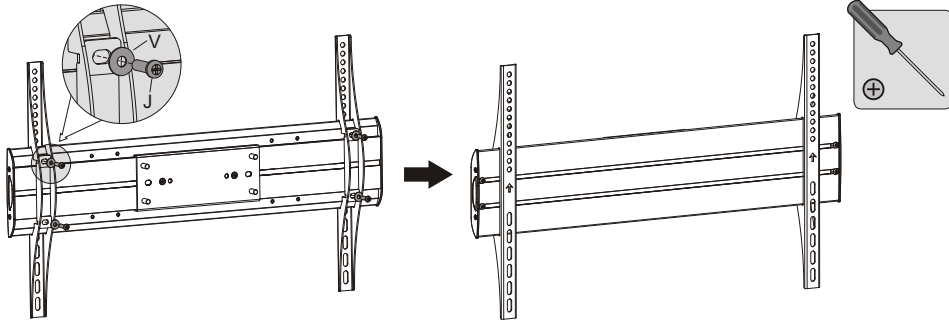
Loosen and remove the nuts in order to separate the universal plate from the universal plate assembly.

8. Installing the Universal Plate

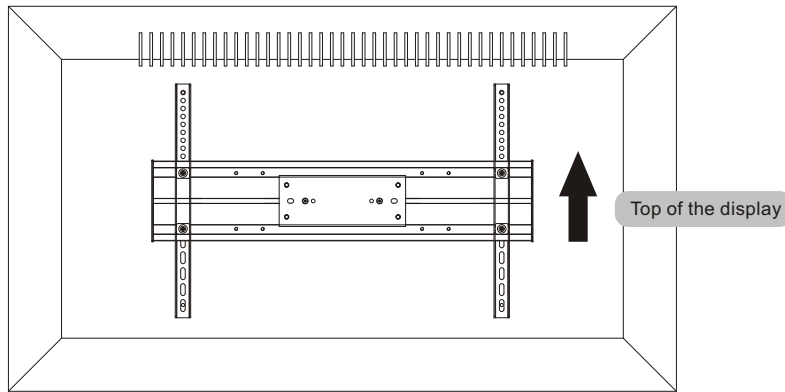


- Insert the stopper bolts into both ends of the universal plate to prevent the adapter brackets from slipping off.
- Attach both plastic caps to both ends of the universal plate using the appropriate screws.
- Tighten all screws with a proper screwdriver.

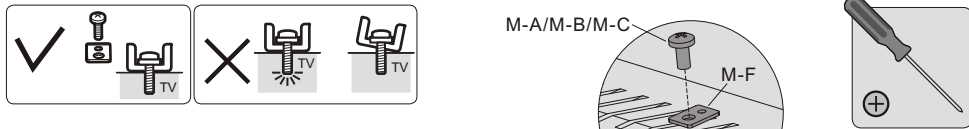
9. Installing the Adapter Brackets



Adjust the adapter brackets to align with display mounting holes, then tighten all screws using a proper screwdriver.

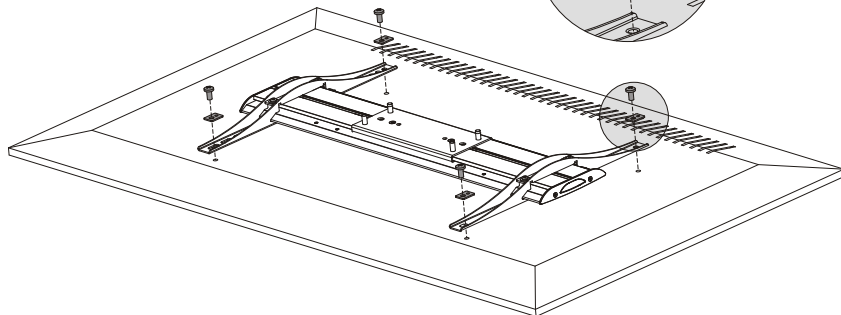


9-1 For Flat Back Screens

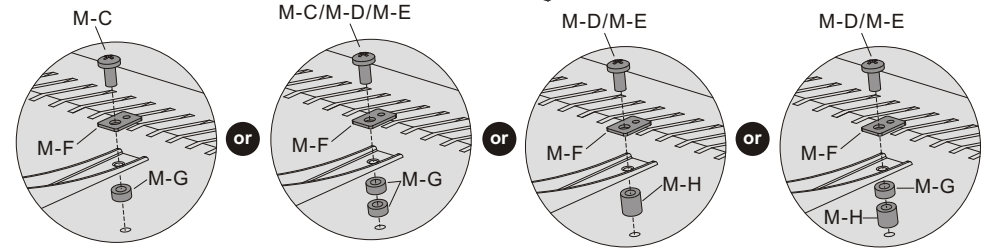
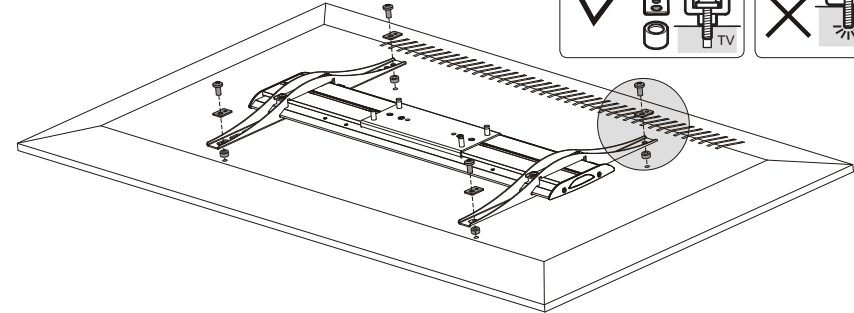


M-A/M-B/M-C

M-F

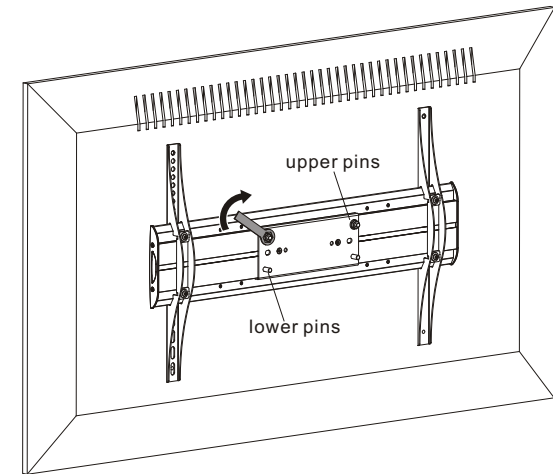
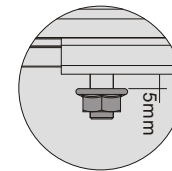
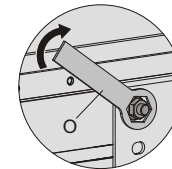


9-2 For Recessed Back Screens or to Access A/V Inputs



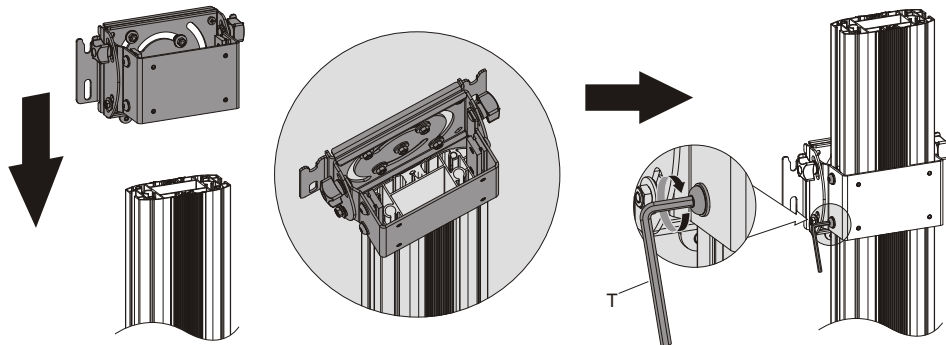
Note: Choose the appropriate screws, washers and spacers (if necessary) according to the type of screen.
 • Position the adapter brackets as close as possible to the center of the display.
 • Screw the adapter brackets onto the display.

⚠ Tighten all screws but do not over tighten.



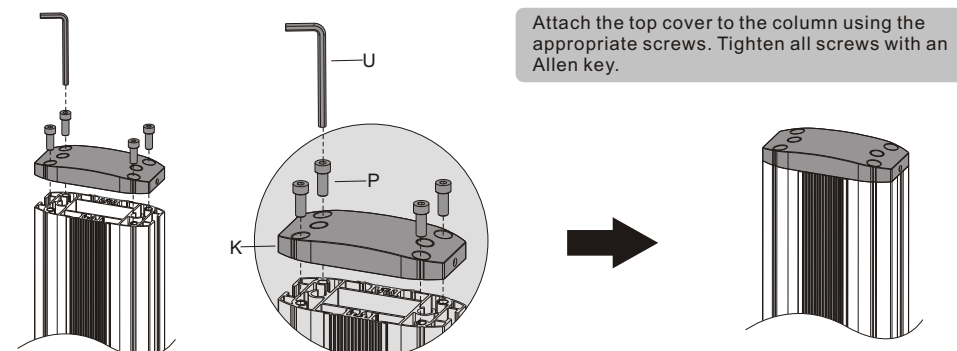
Install the two nuts (the removed in previous step) on the upper pins and leave a 5mm space to the universal plate.

10. Hooking the Support Plate onto the Aluminum Column

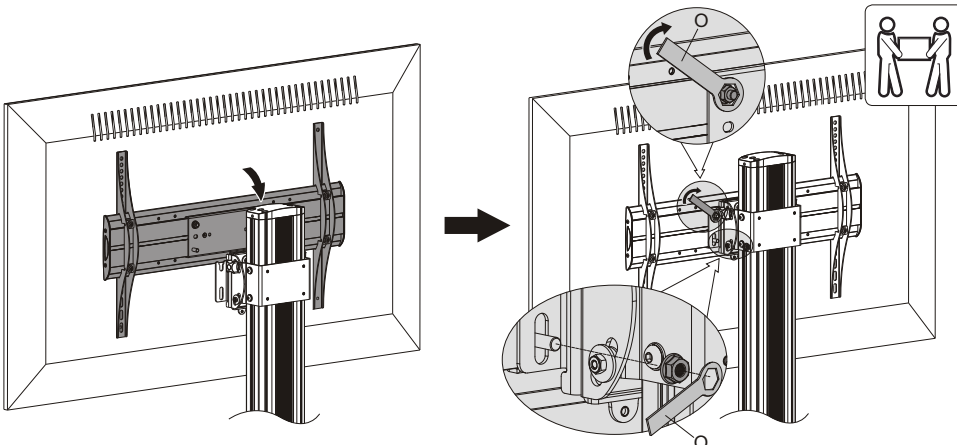


Insert the support plate along the column rails to the required position and tighten all screws with an Allen key.

11. Hooking the Display onto the Support Plate

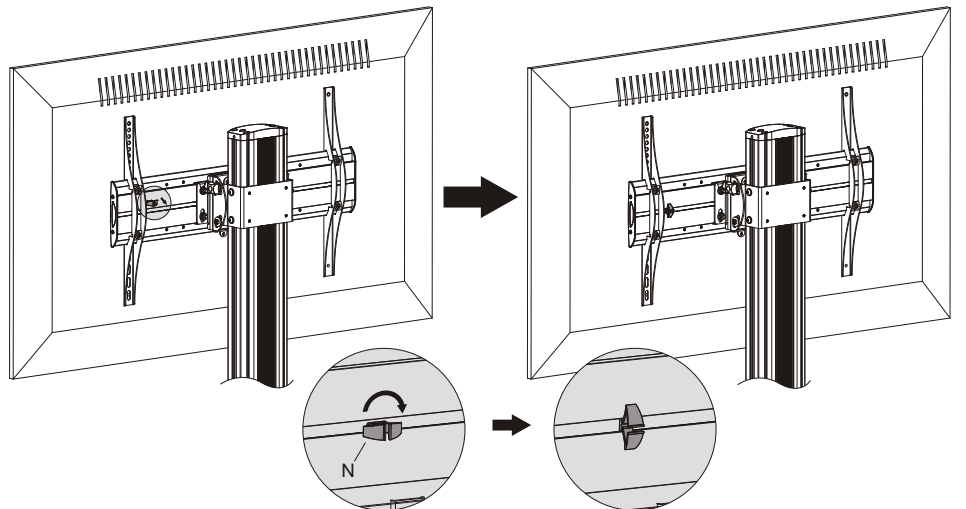


Attach the top cover to the column using the appropriate screws. Tighten all screws with an Allen key.



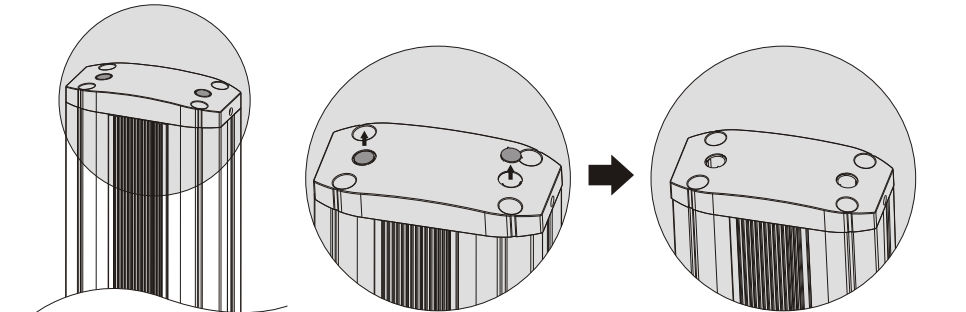
Lift the display carefully and hook the display onto the support bracket. Place the lower nuts and use a wrench to tighten all nuts.

12. Cable Management

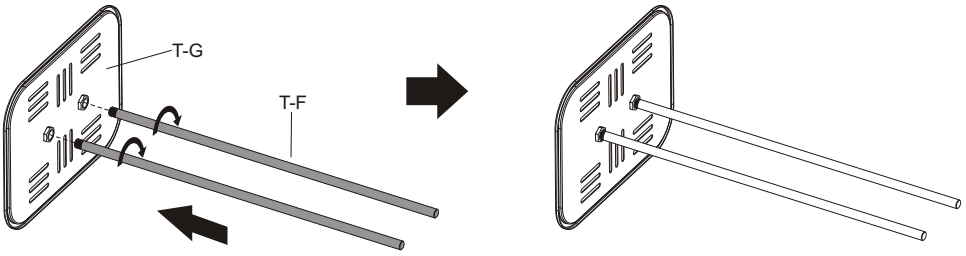


Insert the cable clamps horizontally into the plate slots, then turn the cable clamps to the vertical position to secure them.

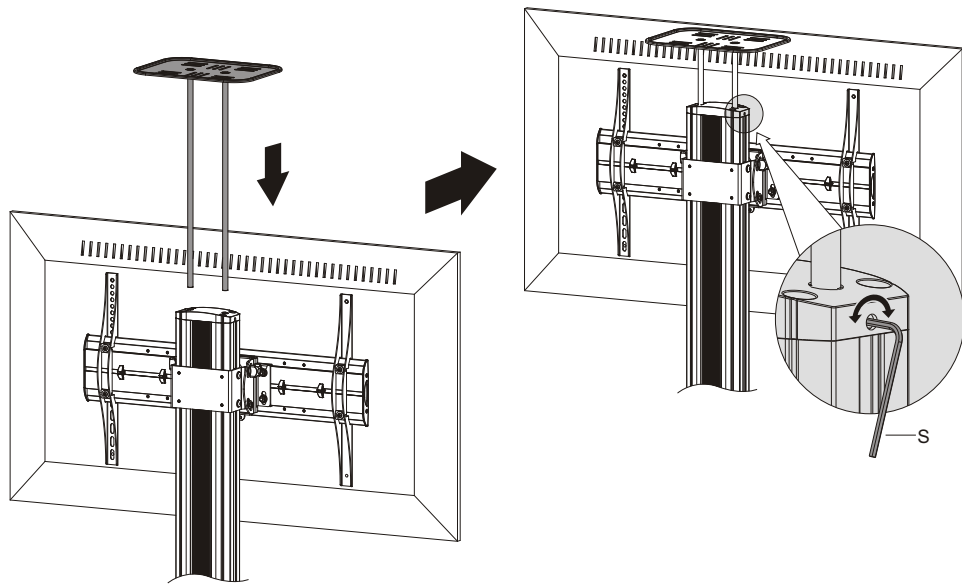
13. For the model AS02R installation (Assembly based on the accessories selected by user.)



Remove two plastic caps for the camera shelf installation.

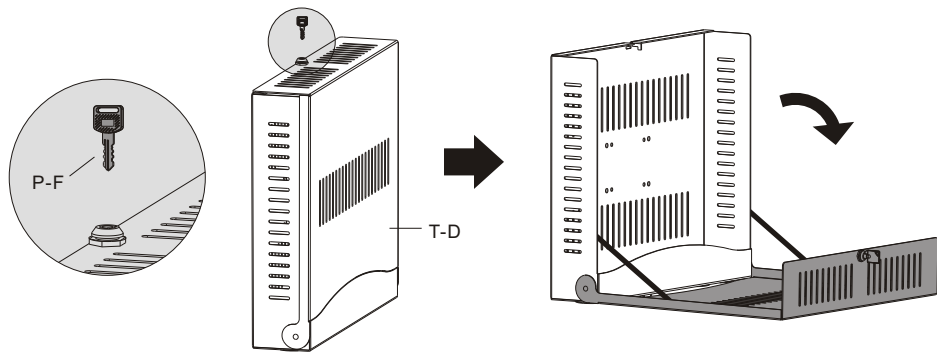


Tighten the support rods to the camera shelf.

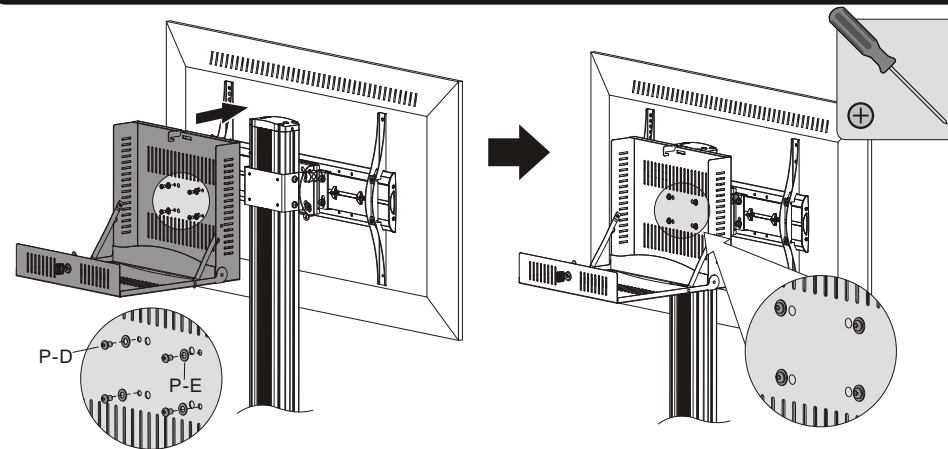


Insert the support rods to the required position along the column slots and tighten both screws to secure the camera shelf.

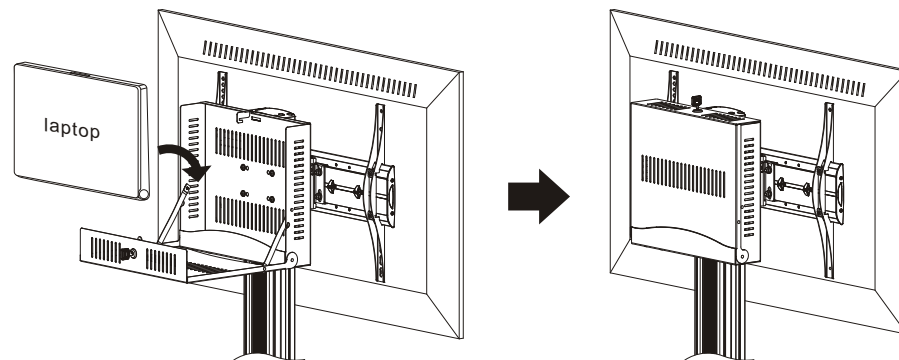
14. For the model AS02P installation
(Assembly based on the accessories selected by user.)



Use the key to open the laptop cabinet.

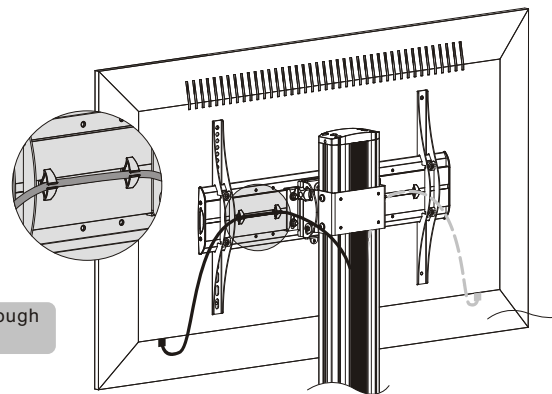


Attach the laptop cabinet to the connecting piece on the universal plate using the appropriate screws. Tighten all screws with a proper phillips screwdriver.



Put the laptop into the cabinet gently, then close the box and lock it.

15. Cable Management



Run the cables through the cable clamps.